

Short clamping levers

SPECIFICATION

Types

- Type **N**: Angled lever with threaded bore
- Type **L**: Angled lever with plain bore H7

Steel

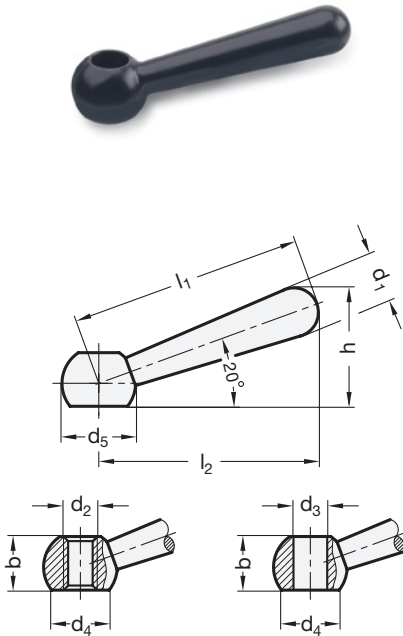
- turned
- blackened

ON REQUEST

- Short clamping levers with straight lever

TECHNICAL INFORMATION

- ISO-Fundamental Tolerances (see page A21)



Control levers

Steel, blackened

SPECIFICATION

Steel
blackened

Ball knobs DIN 319 (see page 538)

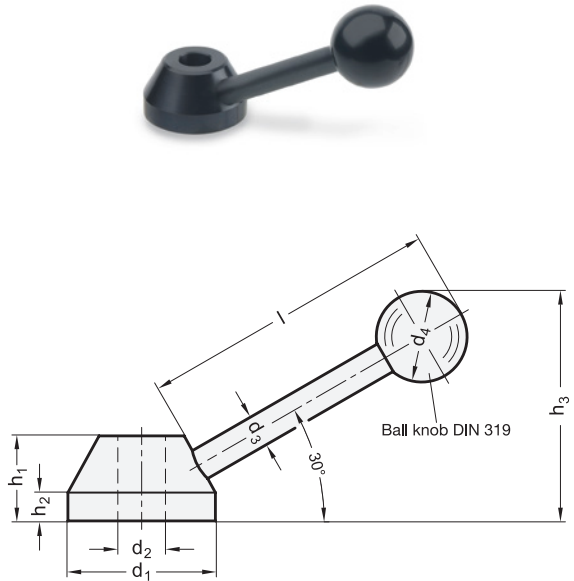
Plastic, Duroplast
black, shiny finish

INFORMATION

Control levers GN 223 can also be supplied as standard with:
Square DIN 79 **V** + Bore- \emptyset
Keyway DIN 6885 **K** + Bore- \emptyset

TECHNICAL INFORMATION

- Keyway P9 DIN 6885 (see page A16)
- ISO-Fundamental Tolerances (see page A21)



GN 204

Description	d1	d2	d3 H7	b	d4 ≈	d5	h ≈	l1	l2 ≈	△
GN 204-13-B10-L	13	-	B 10	14	16	20	32	63	60	61
GN 204-16-B12-L	16	-	B 12	17.5	20	25	40	80	76	180
GN 204-20-B16-L	20	-	B 16	23	25	32	51	100	95	220
GN 204-10-M8-N	10	M 8	-	11	12.5	16	26	50	48	30
GN 204-13-M10-N	13	M 10	-	14	16	20	32	63	60	60
GN 204-16-M12-N	16	M 12	-	17.5	20	25	40	80	76	120
GN 204-20-M16-N	20	M 16	-	23	25	32	51	100	95	232
GN 204-25-M20-N	25	M 20	-	30	31	40	63.5	125	119	445

GN 223

Description	d1	d2 H7	d3	d4	h1	h2	h3 ≈	l ≈	△
GN 223-25-B8	25	B 8	6	16	14	5	35	45	50
GN 223-32-B10	32	B 10	8	20	18	6.5	48	62	103
GN 223-40-B12	40	B 12	10	30	22	8.5	77	95	214
GN 223-52-B16	52	B 16	14	40	28	11	96	136	503

